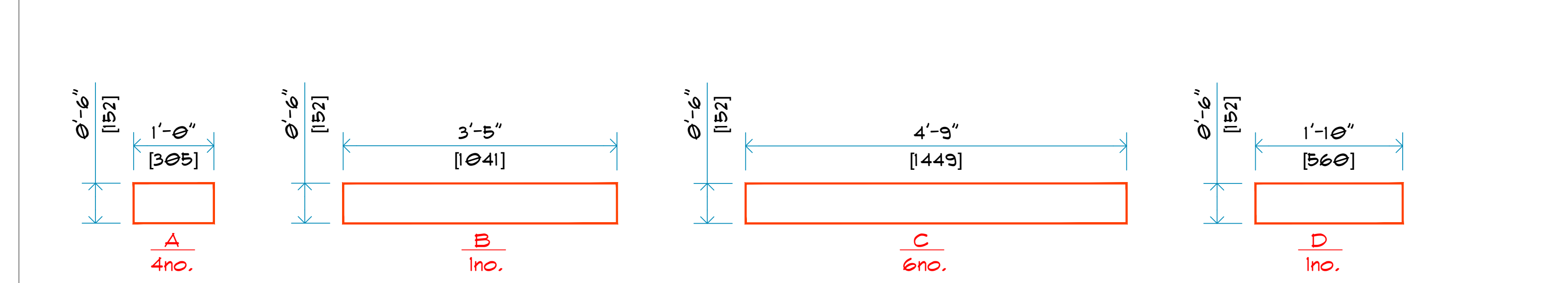


FILE ROOM

- MULTIPLE SINGLE SHELF UNITS

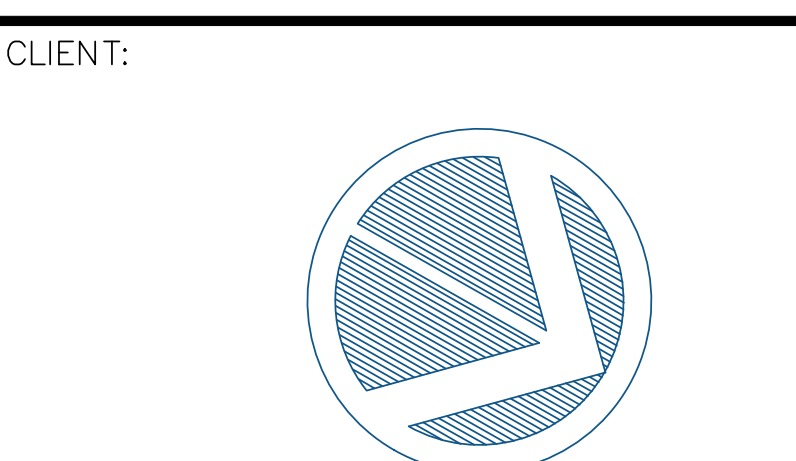
SHELF TYPE	EXISTING SHELVES	PROPOSED SHELVES
Wall Mounted	79'-4"	14'-0"
Shelf Units	85'-8"	289'-0"
Total	165'-0"	303'-0"
		83% Increase



1"X6" STABILIZING BOARDS



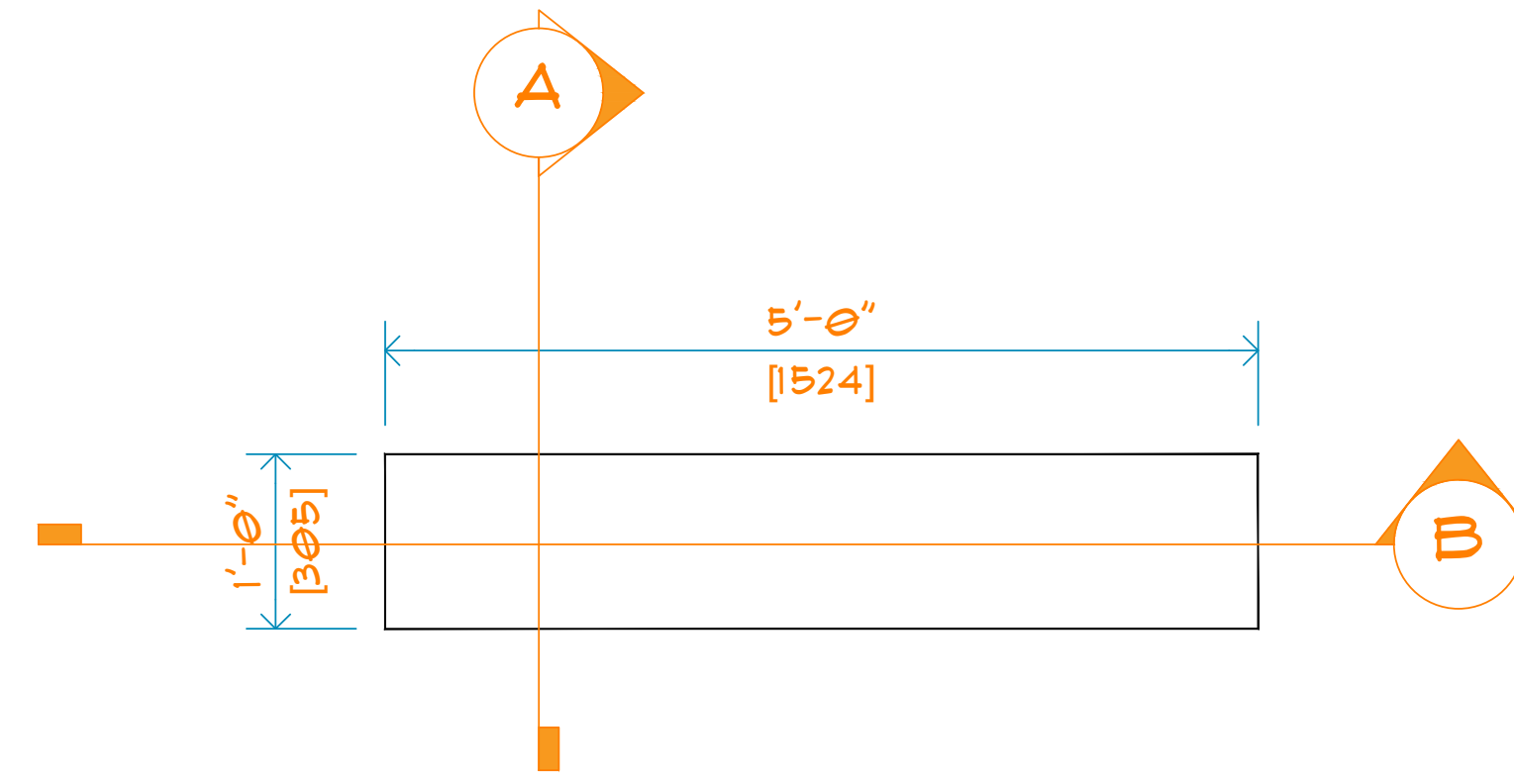
No.	REVISION	DATE:	CLIENT:



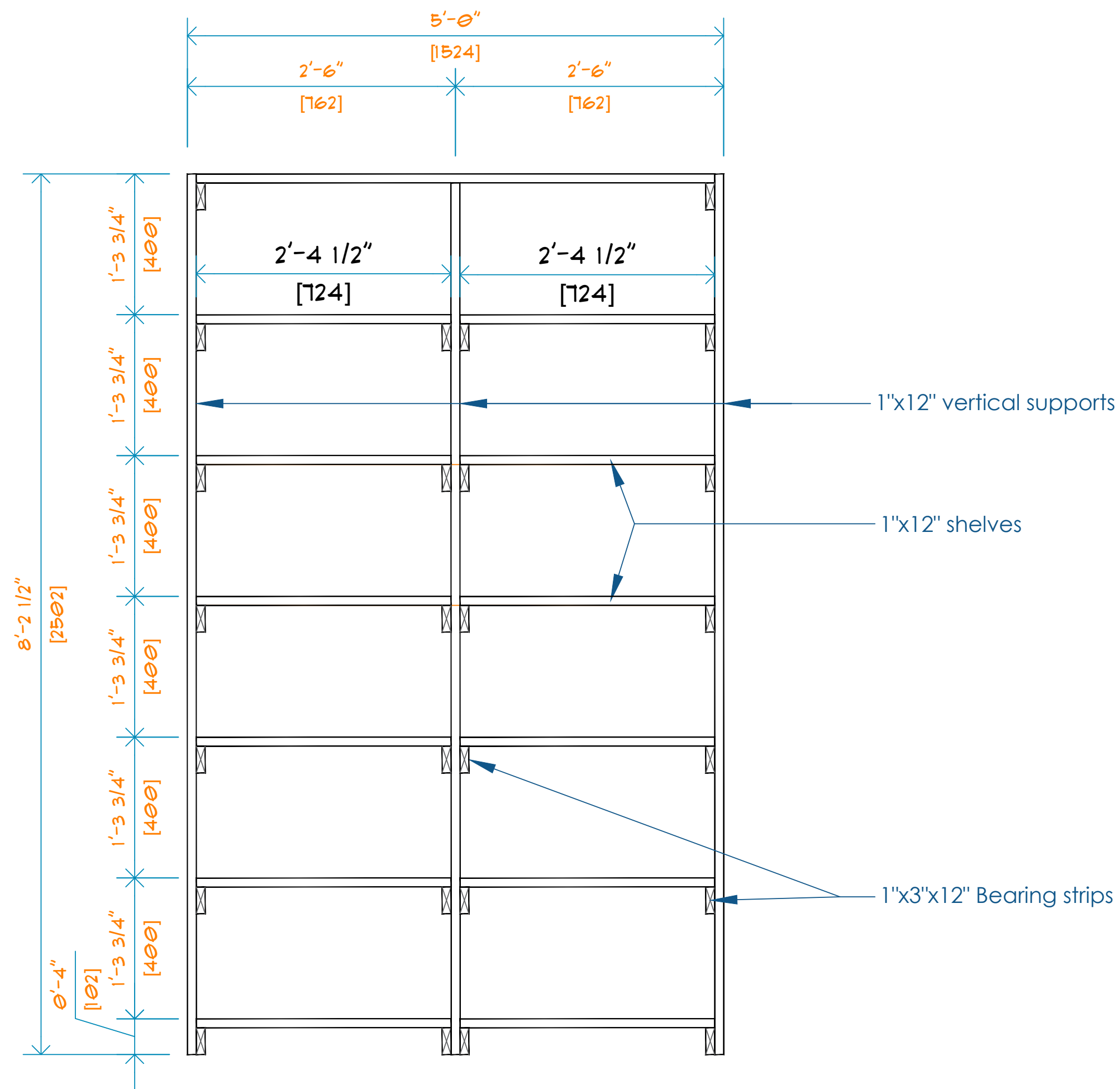
Project Title: GYSBI OFFICE RENOVATION
 Project Location: GYSBI SHORE BASE NORTH-EAST
 Drawing Title: **FINANCE FILE STORAGE ROOM MIDDLE FLOOR**

Scale: Scaled to fit	Date: 20.02.2025
Surveyed by: *****	Drawing #: MOGF-A-11
Drawing by: A.Flatts	Page No: 1 of 6
Checked by: D. Woolford I Baksh	
Approved by:	Appr. Date:

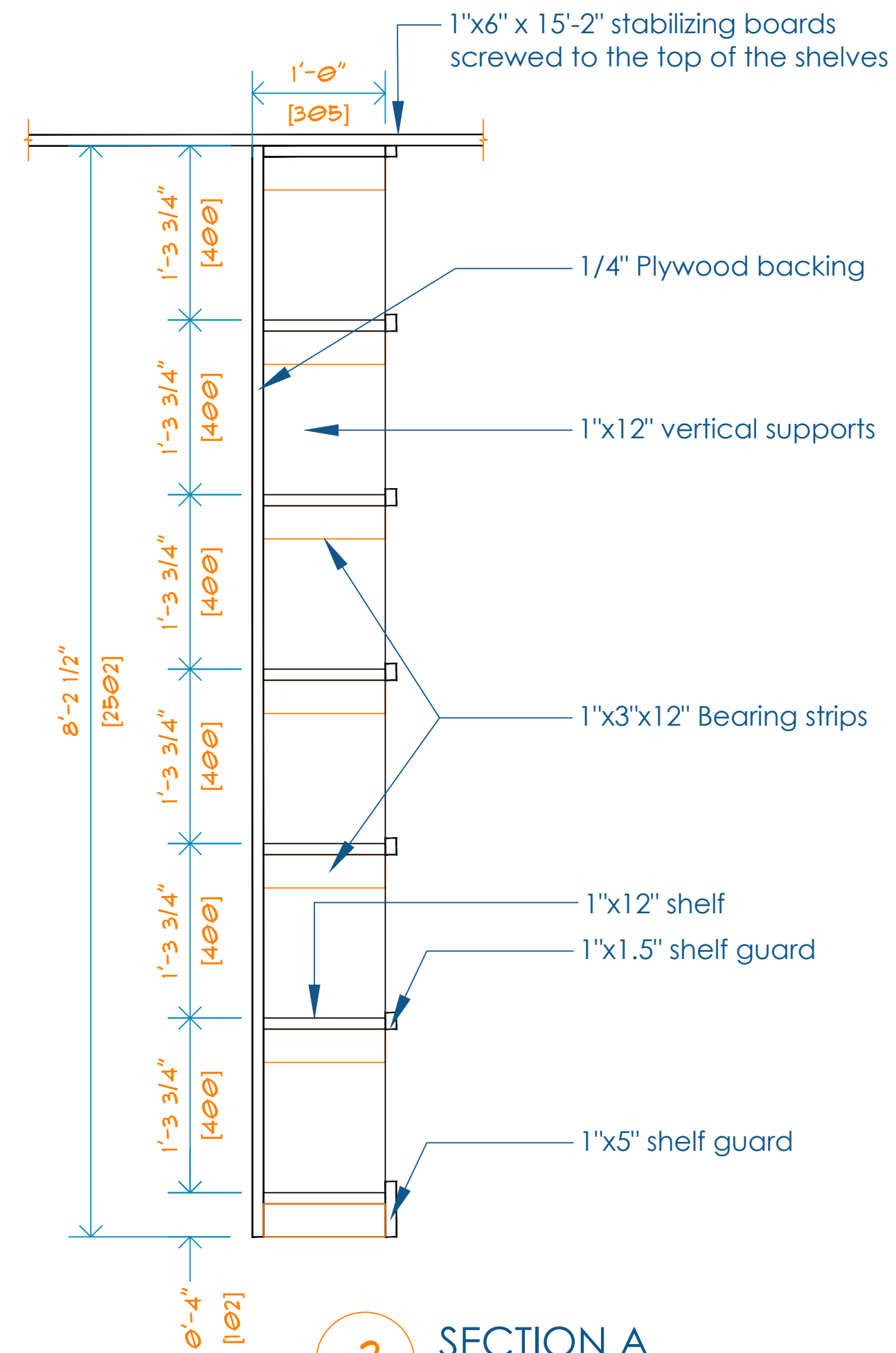
SHELF TYPE I



1 PLAN
Scale: To Fit



2 SECTION B
Scale: To Fit



2 SECTION A
Scale: To Fit



4 Model
Scale: To Fit

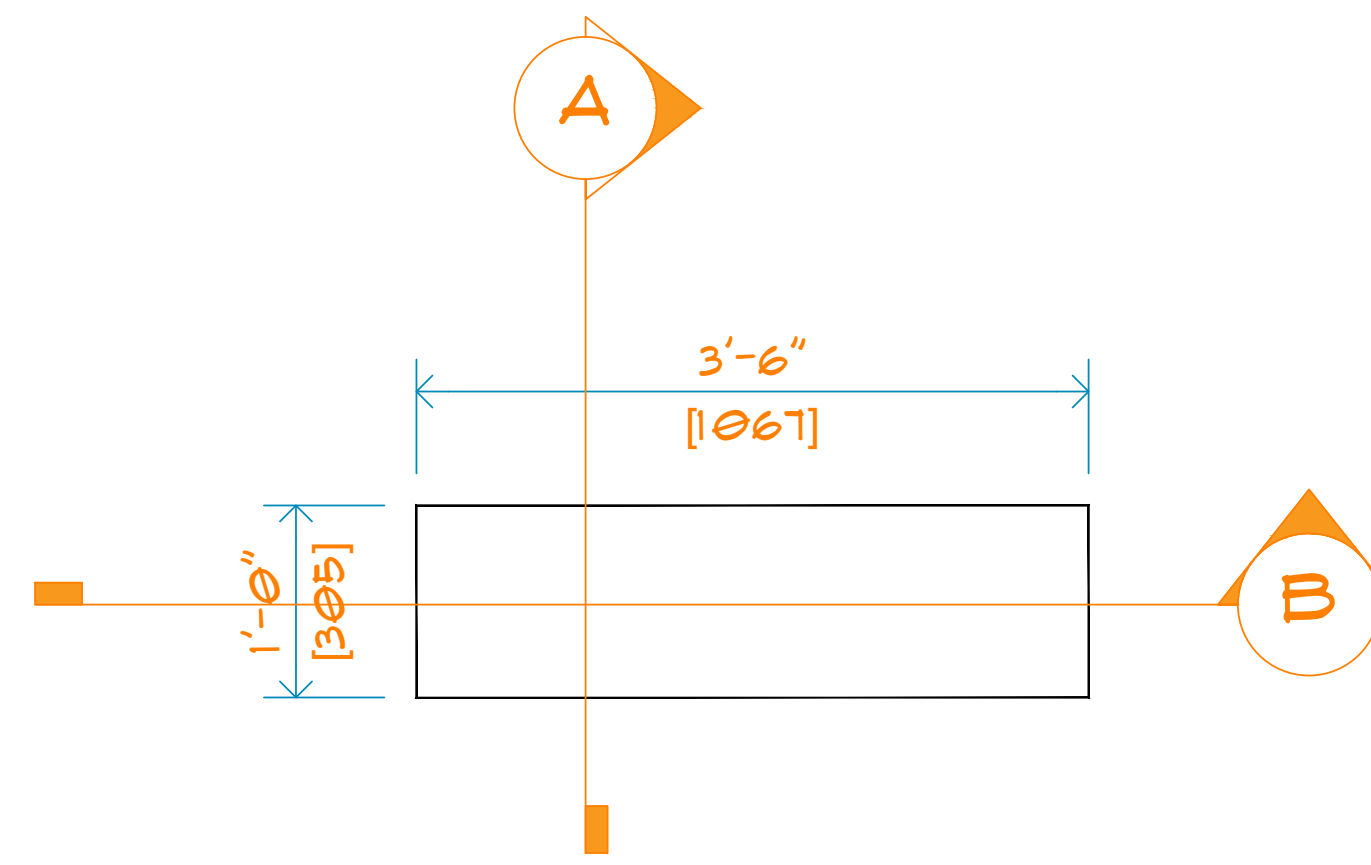


No:	REVISION	DATE:	CLIENT:

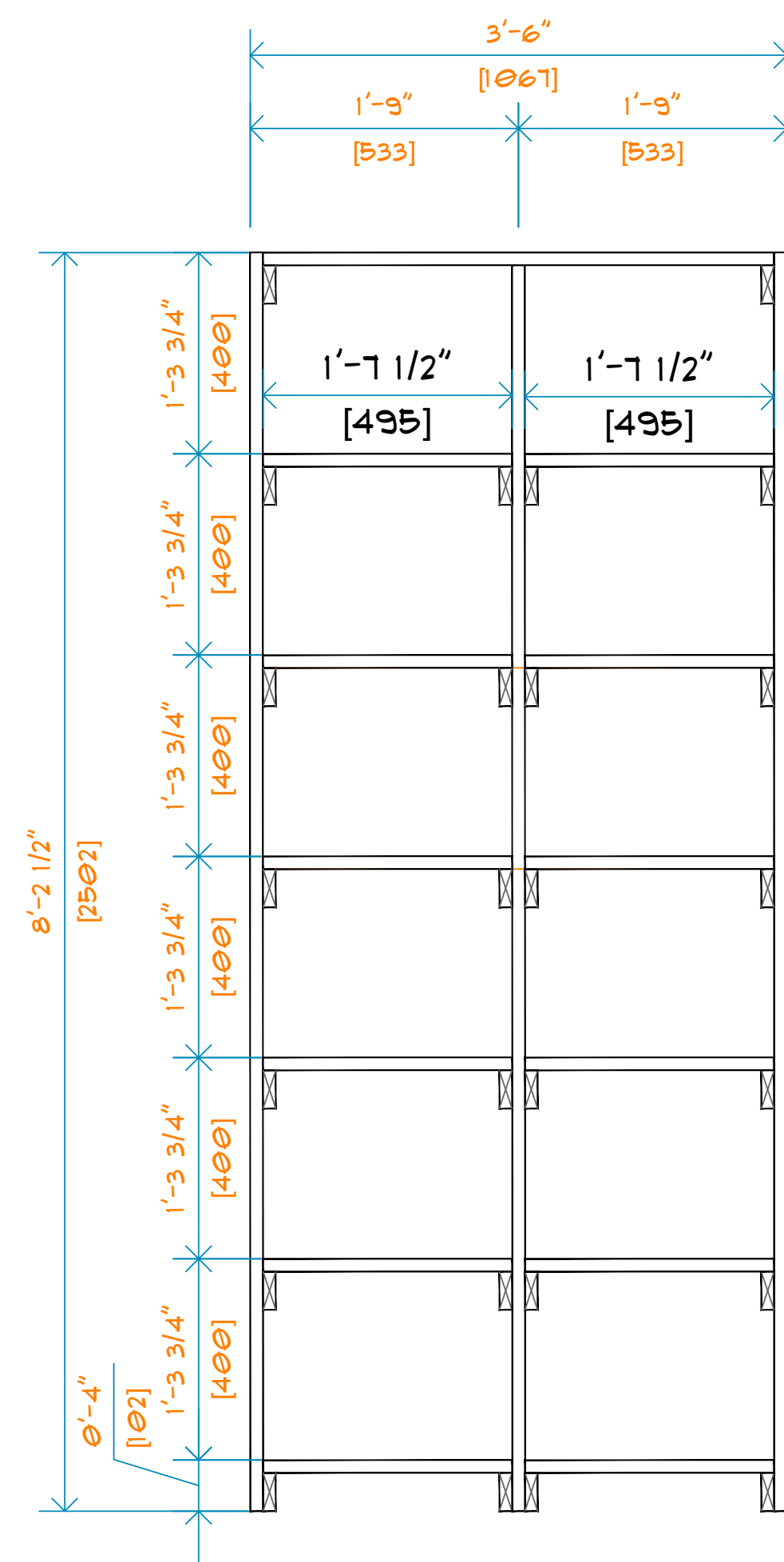
Project Title:	GYSBI OFFICE RENOVATION
Project Location:	GYSBI SHORE BASE NORTH-EAST
Drawing Title:	FINANCE FILE STORAGE ROOM SHELF TYPE I

Scale:	Scaled to fit	Date:	20.02.2025
Surveyed by:	*****	Drawing #:	MOGF-A-12
Drawing by:	A.Flatts	Page No:	2 of 6
Checked by:	D. Woolford I. Baksh	Appr. Date:	
Approved by:			

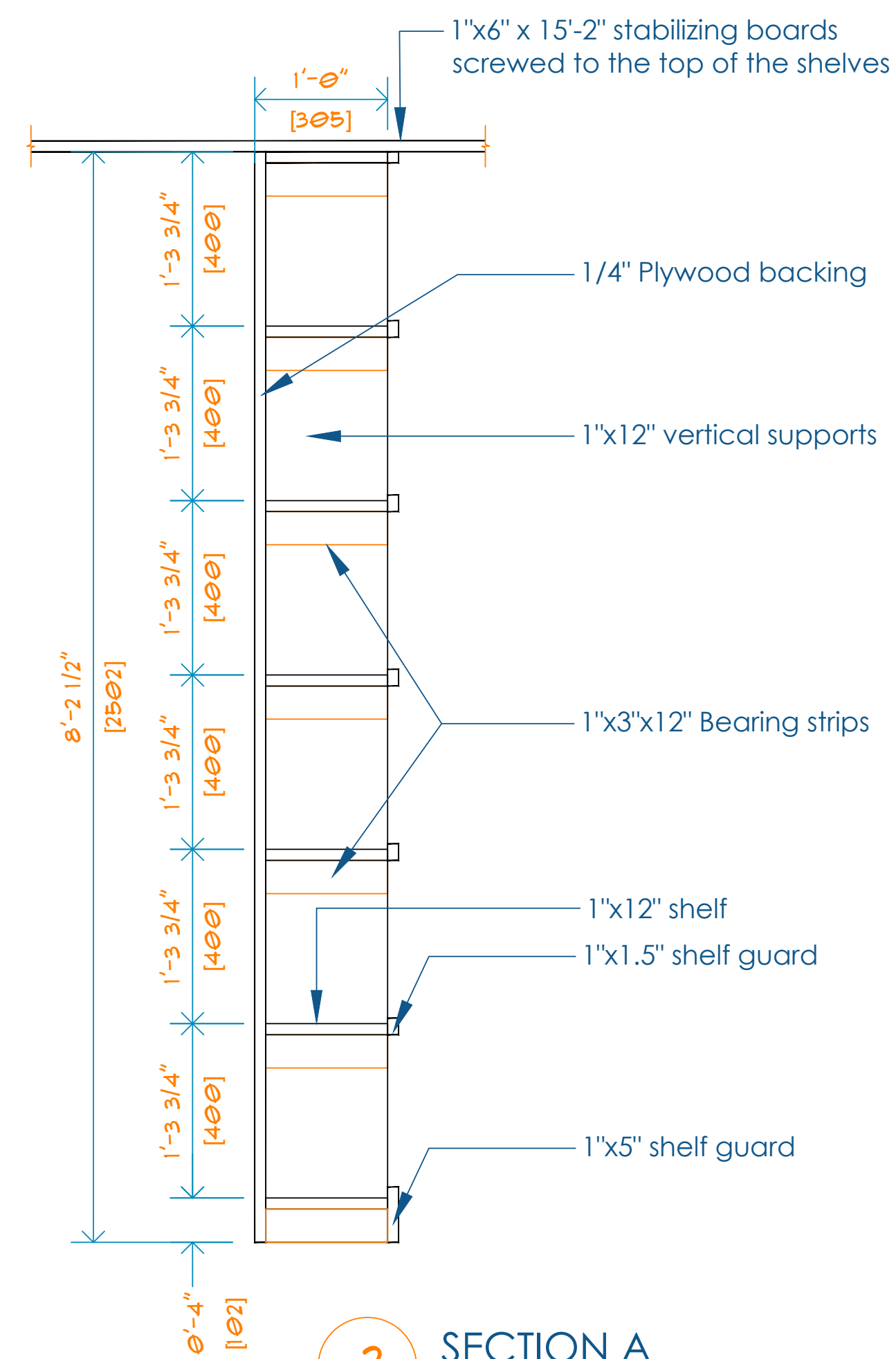
SHELF TYPE II



1 PLAN
Scale: To Fit



2 SECTION B
Scale: To Fit



2 SECTION A
Scale: To Fit



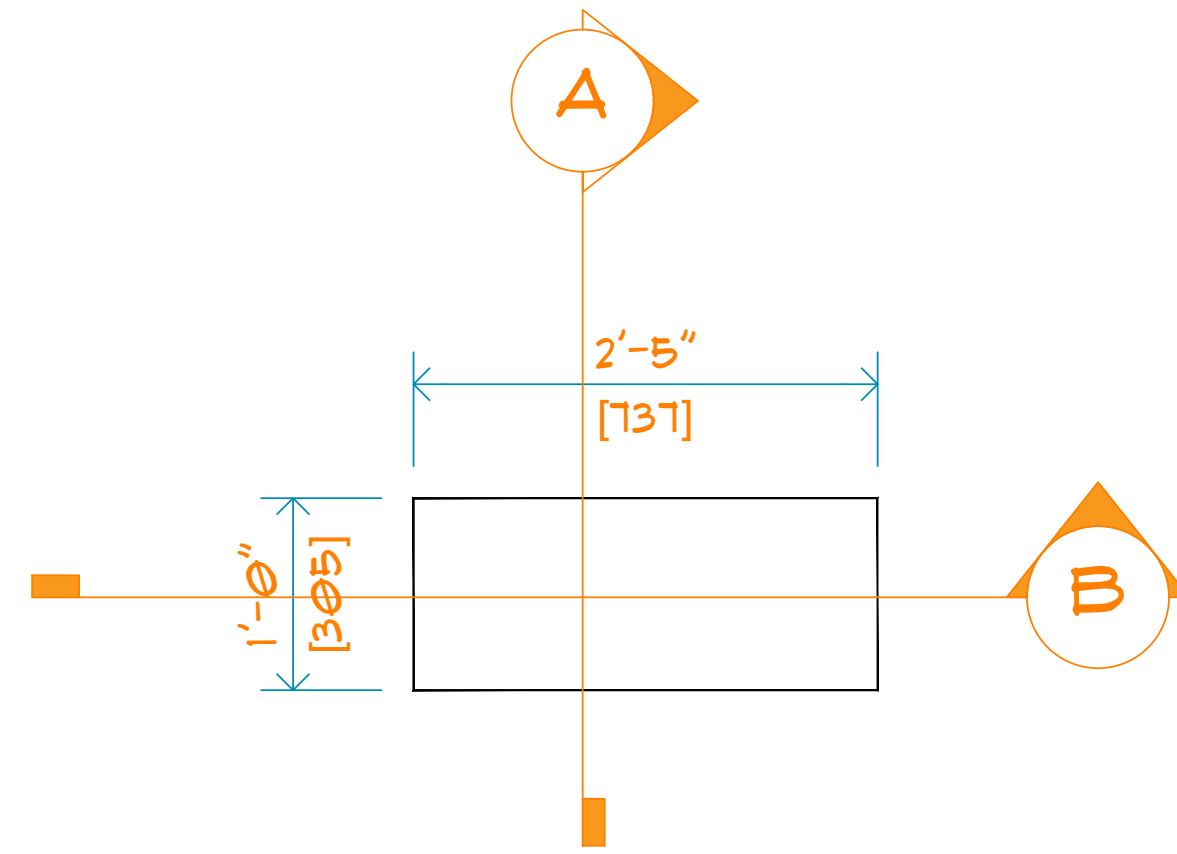
4 Model
Scale: To Fit



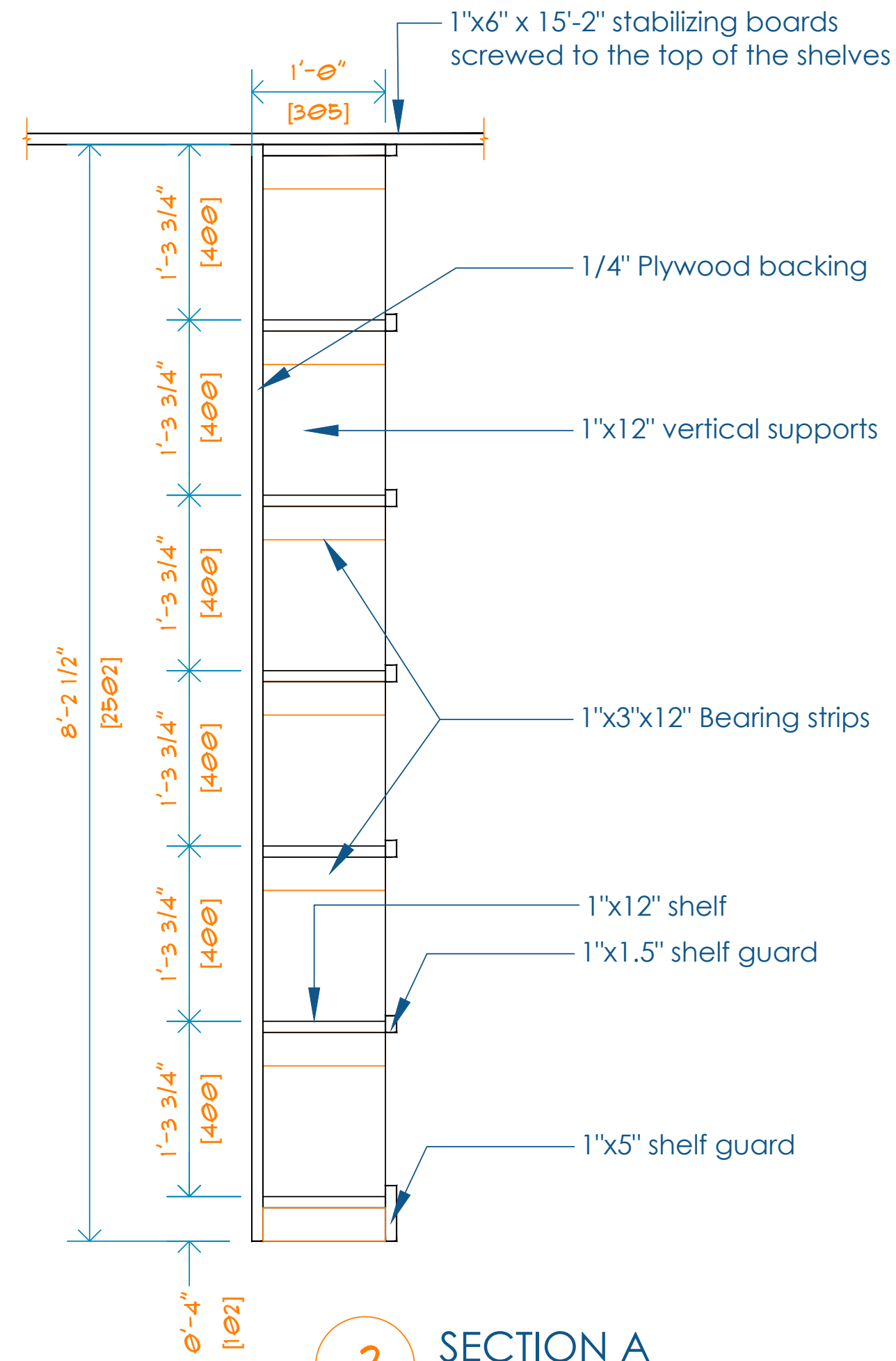
No:	REVISION	DATE:	CLIENT:

Project Title:	GYSBI OFFICE RENOVATION	Scale:	Scaled to fit	Date:	20.02.2025
Project Location:	GYSBI SHORE BASE NORTH-EAST	Surveyed by:	*****		
Drawing Title:	FINANCE FILE STORAGE ROOM SHELF TYPE II	Drawing by:	A.Flatts	Drawing #:	MOGF-A-13
		Checked by:	D. Woolford I. Baksh	Appr. Date:	
		Approved by:			Page No:

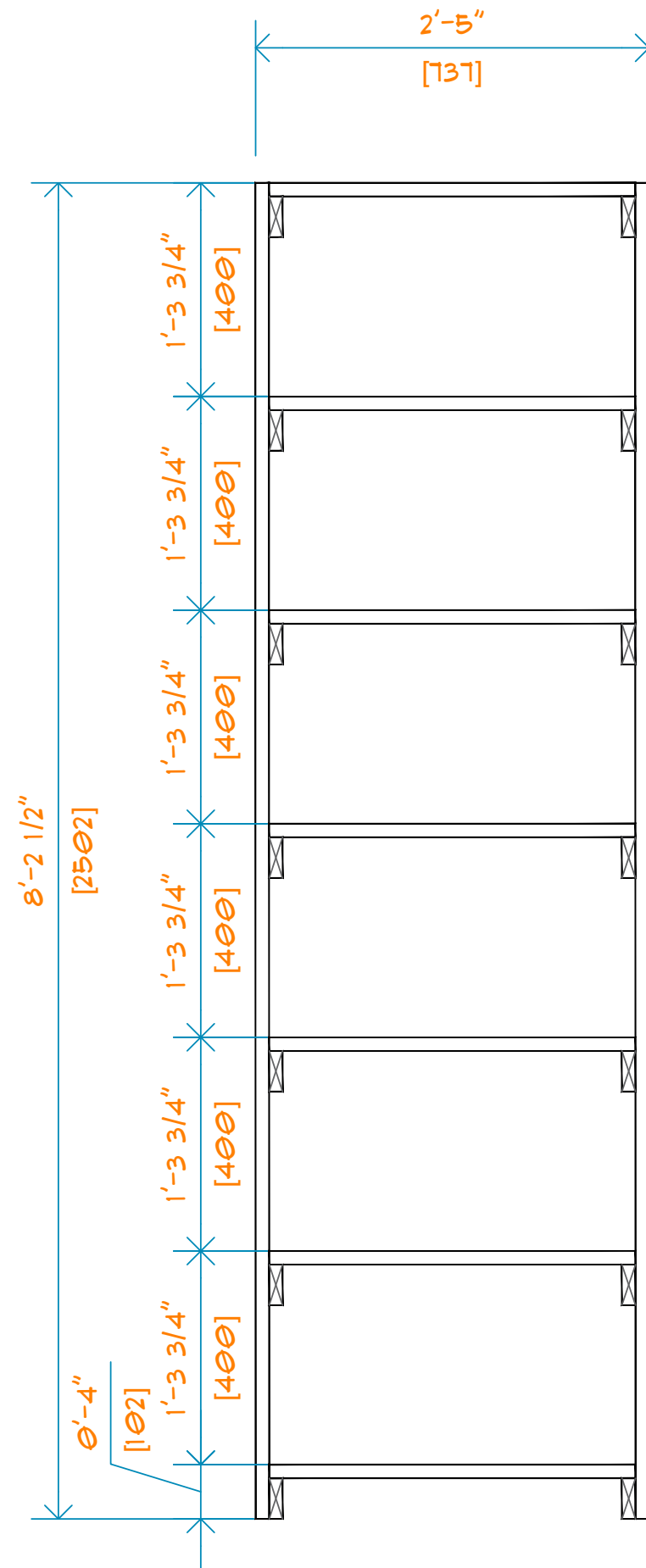
SHELF TYPE III



1 PLAN
Scale: To Fit



2 SECTION A
Scale: To Fit



3 SECTION B
Scale: To Fit



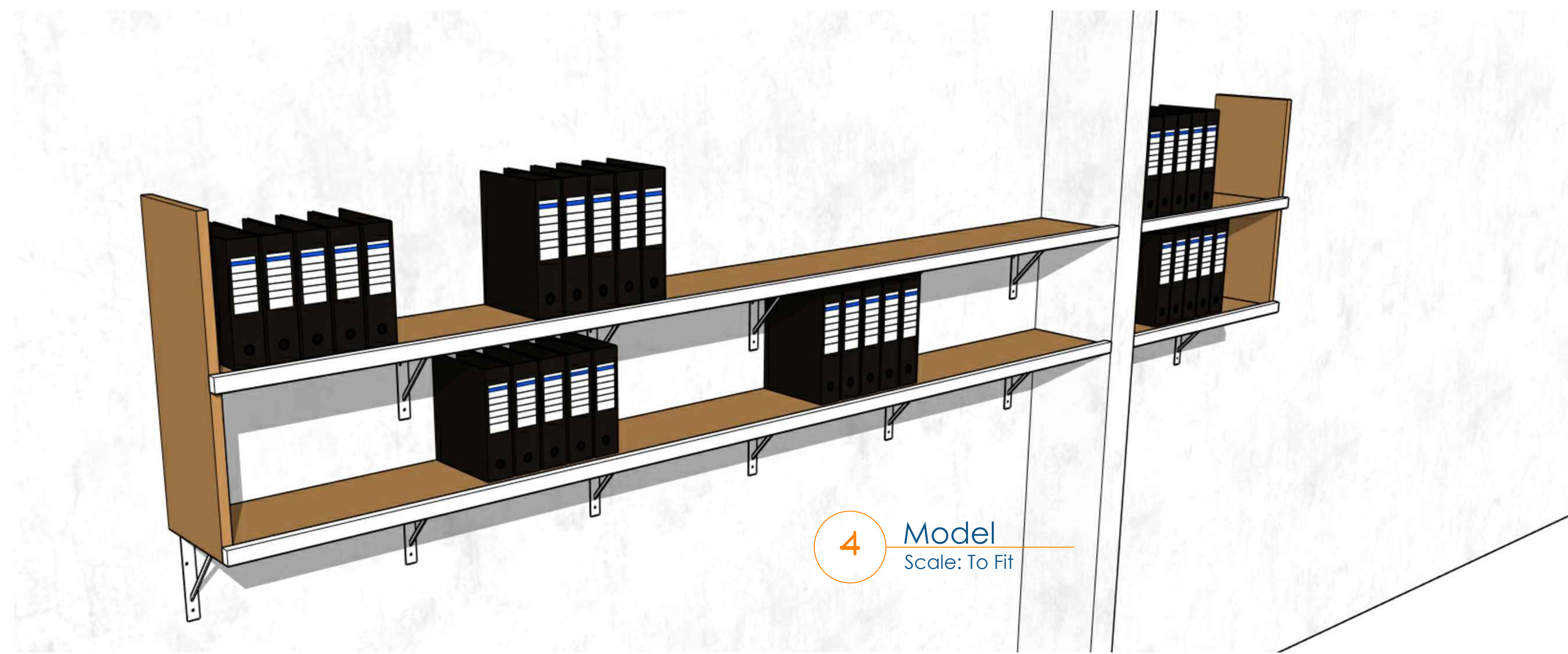
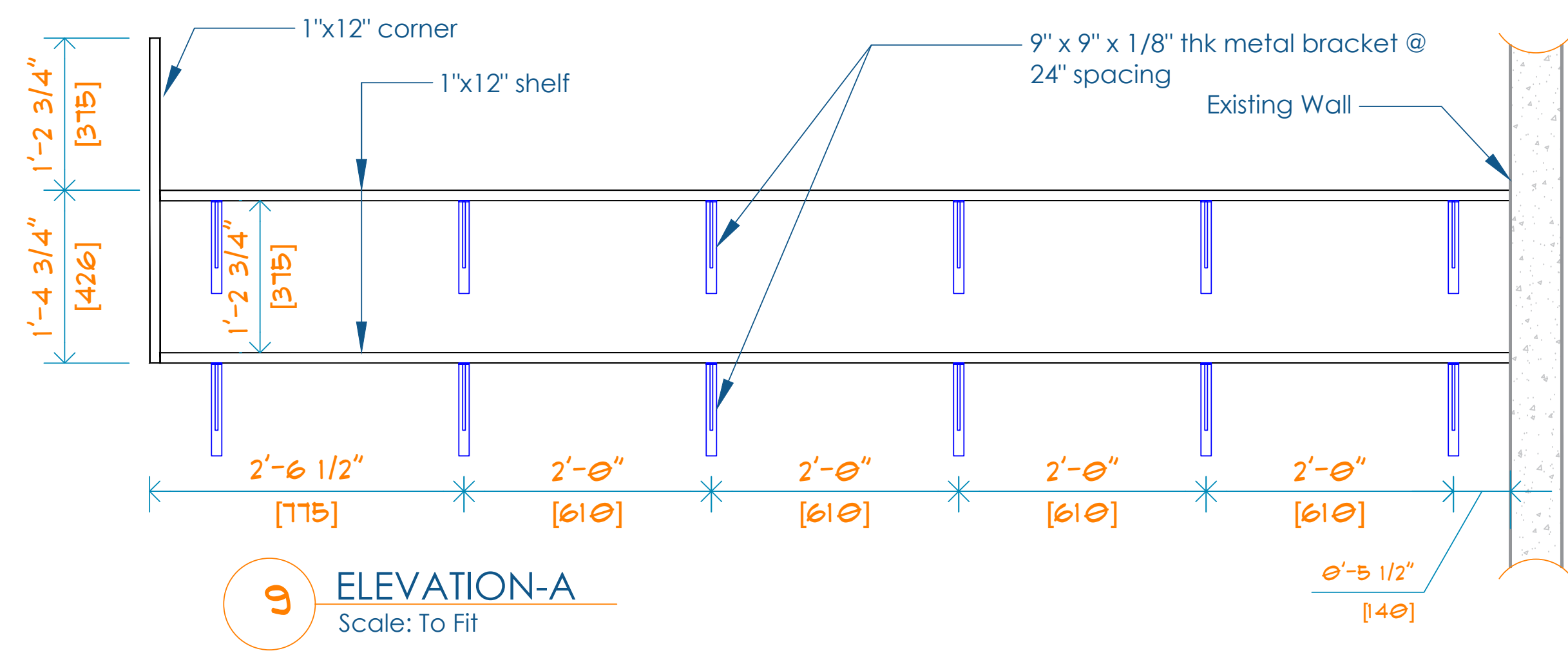
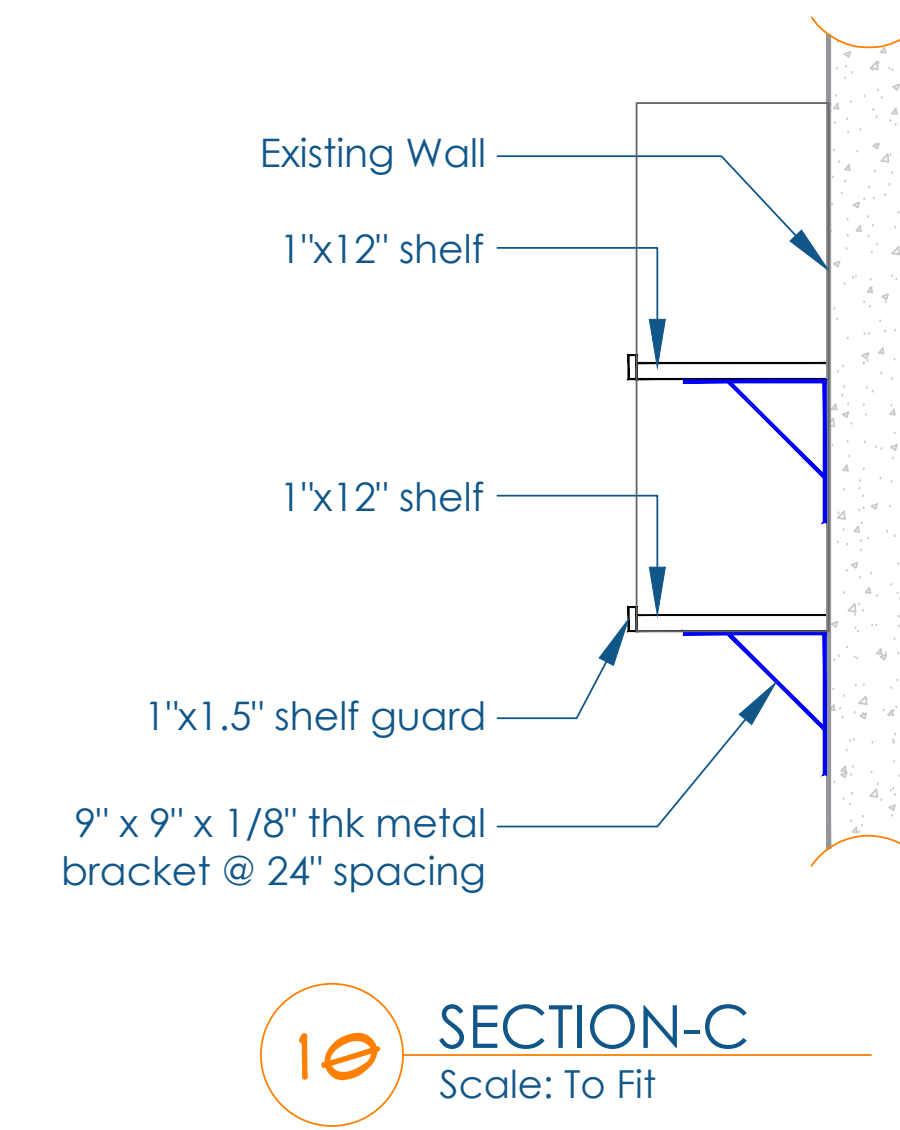
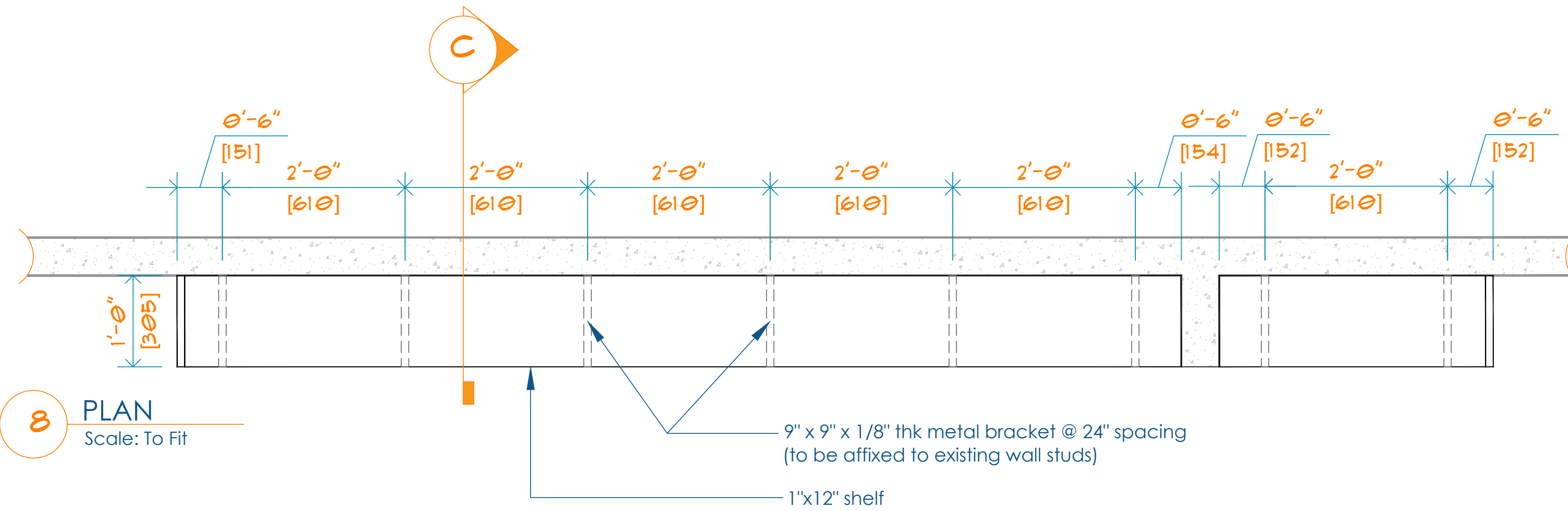
4 Model
Scale: To Fit



No:	REVISION	DATE:	CLIENT:

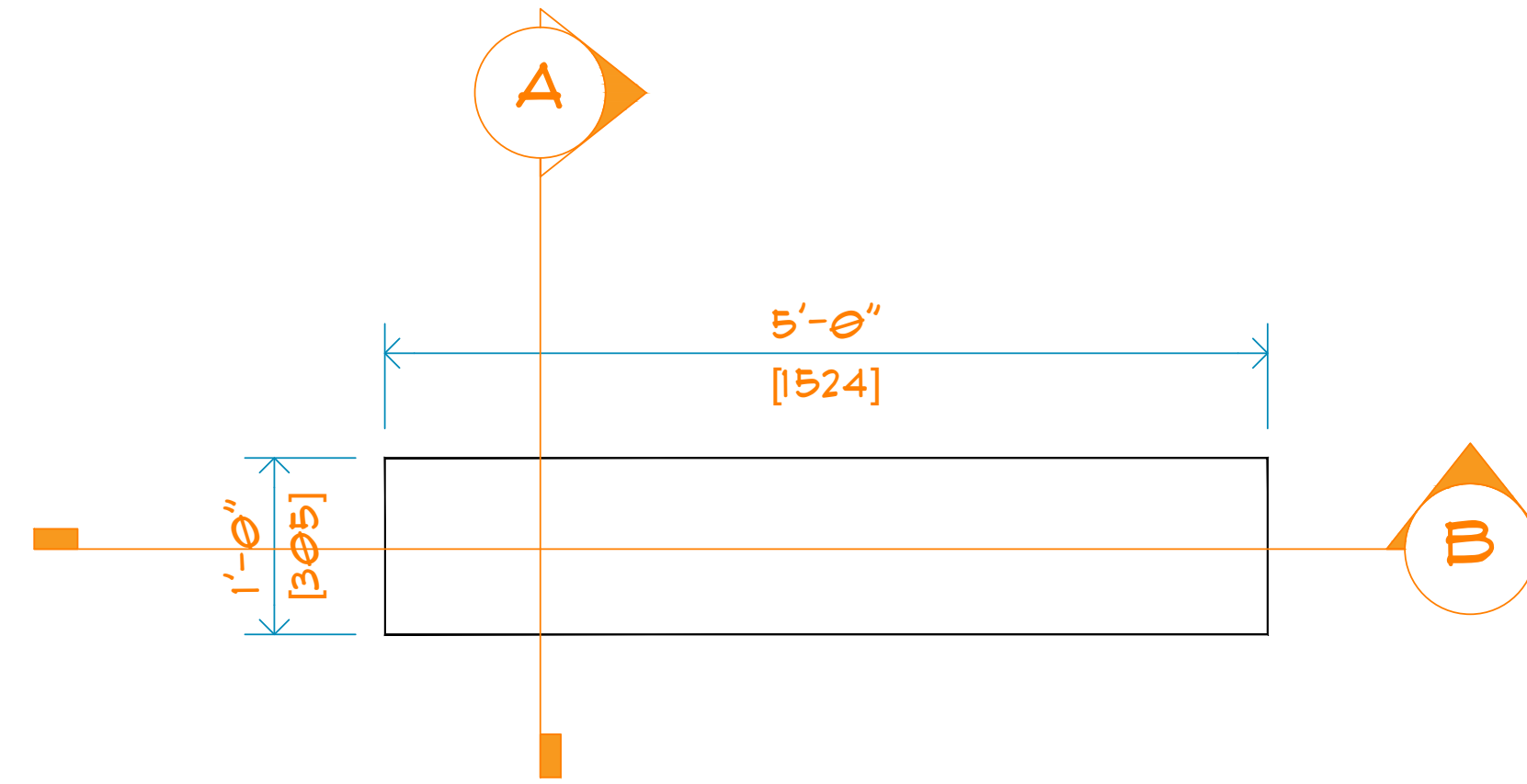
Project Title:	GYSBI OFFICE RENOVATION	Scale:	Scaled to fit	Date:	20.02.2025
Project Location:	GYSBI SHORE BASE NORTH-EAST	Surveyed by:	*****	Drawing #:	MOGF-A-14
Drawing Title:	FINANCE FILE STORAGE ROOM SHELF TYPE III	Drawing by:	A.Flatts	Checked by:	D. Woolford I. Baksh
		Approved by:		Appr. Date:	Page No: 4 of 6

SHELF TYPE IV

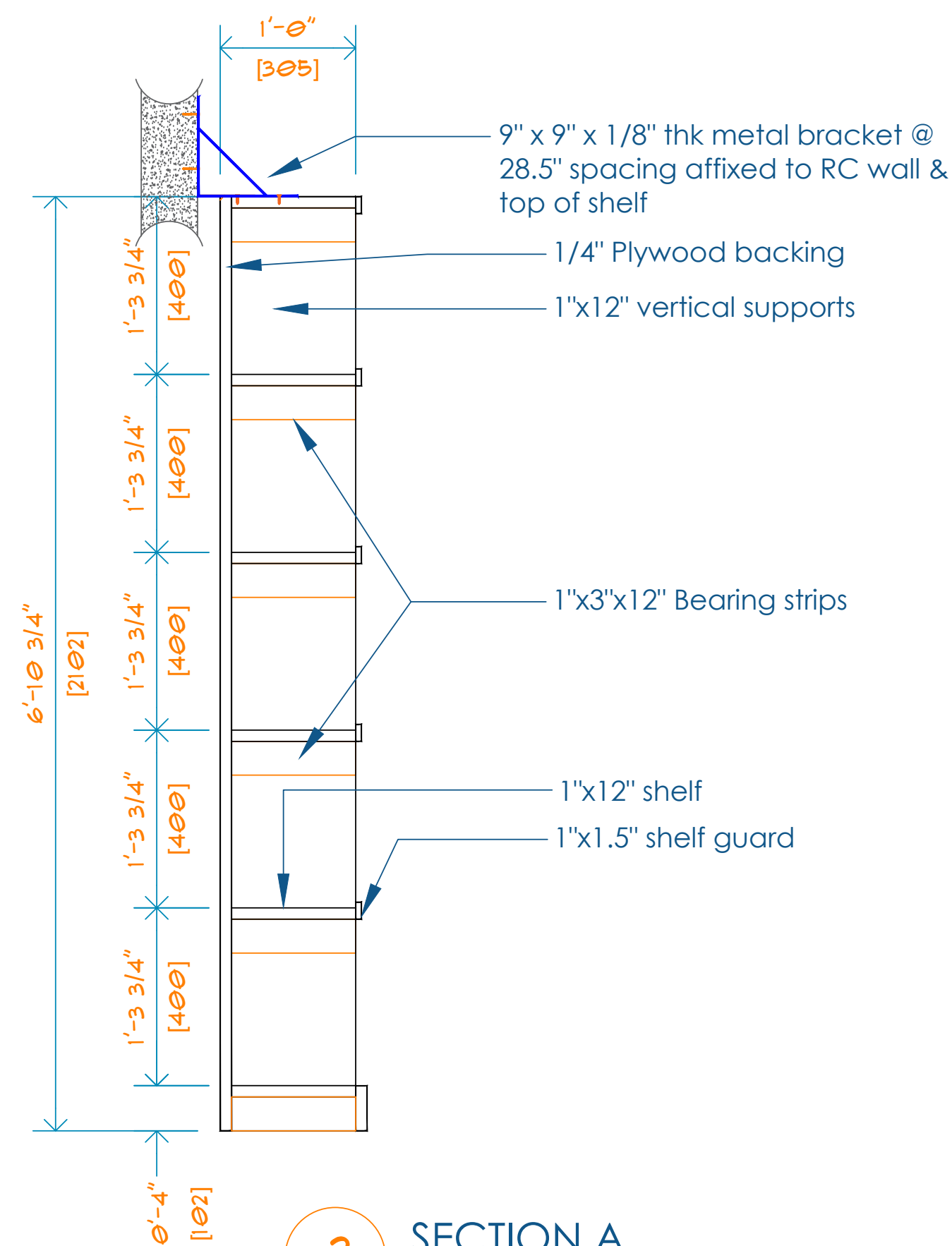


	No:	REVISION	DATE:	CLIENT:	Project Title:	GYSBI OFFICE RENOVATION	Scale:	Scaled to fit	Date:	20.02.2025	
					Project Location:	GYSBI SHORE BASE NORTH-EAST	Surveyed by:			*****	
					Drawing Title:	FINANCE FILE STORAGE ROOM FILE TYPE IV	Drawing by:	A.Flatts		Drawing #:	MOGF-A-15
							Checked by:	D. Woolford I. Baksh		Page No:	5 of 6
							Approved by:		Appr. Date:		

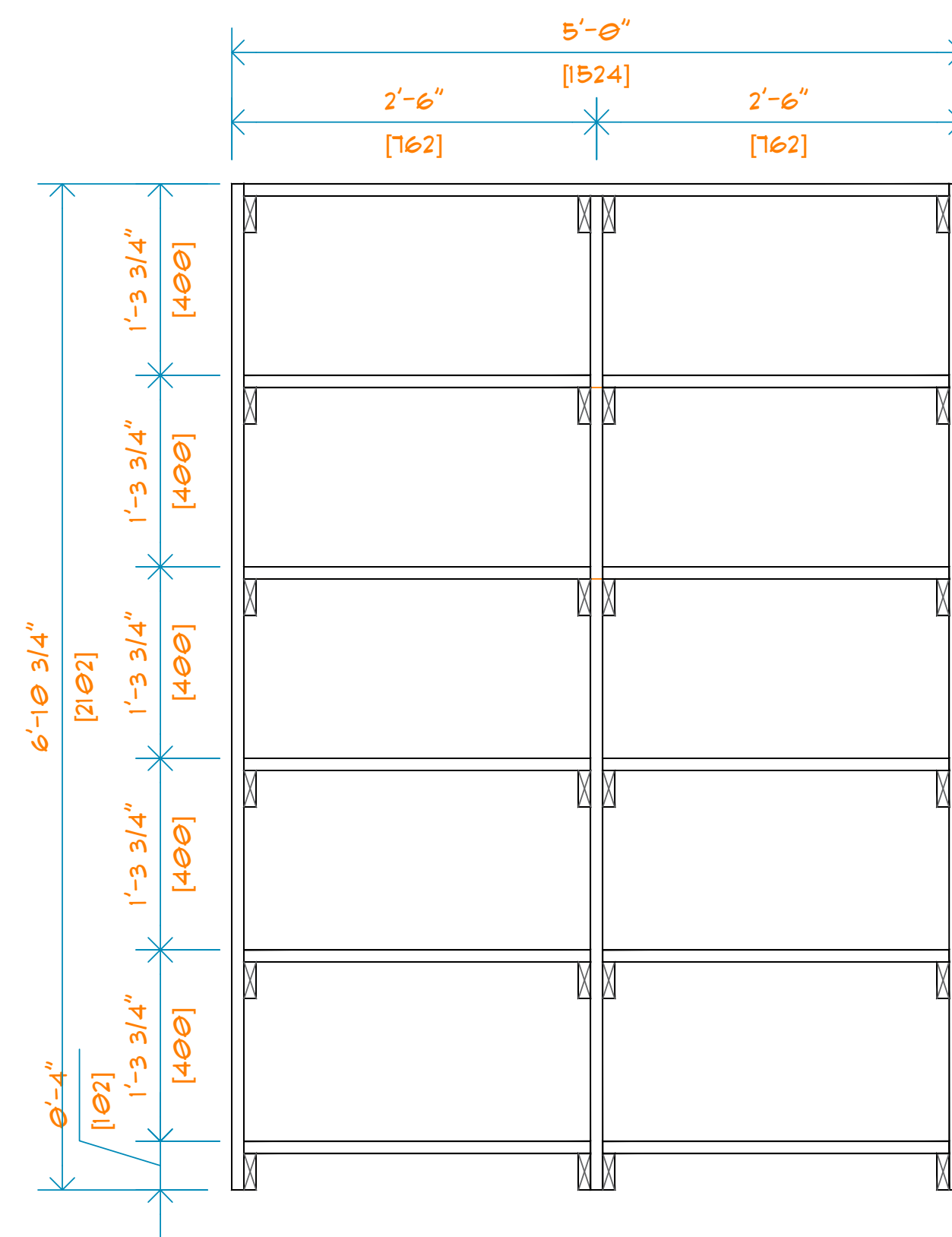
SHELF TYPE V



1 PLAN
Scale: To Fit



2 SECTION A
Scale: To Fit



3 SECTION B
Scale: To Fit



4 Model
Scale: To Fit



No:	REVISION	DATE:	CLIENT:

Project Title:	GYSBI OFFICE RENOVATION	Scale:	Scaled to fit	Date:	20.02.2025
Project Location:	GYSBI SHORE BASE NORTH-EAST	Surveyed by:			*****
Drawing Title:	FINANCE FILE STORAGE ROOM SHELF TYPE V	Drawing by:	A.Flatts		Drawing #:
		Checked by:	D. Woolford I. Baksh		MOGF-A-16
		Approved by:		Appr. Date:	
					6 of 6